



Product Sheet
AFA500 Mk3



products to help you create a better environment in your workplace
a breath of fresh air.....

AFA500 Mk3

General Description

The AFA500/MK3 model is an entry level fully flush airflow monitor that is designed for applications where airflow velocity indication is not required. The AFA500 is available with either a built in or remote airflow sensor and is suitable for Industrial Fume Cupboards, Schools type Fume Cupboards, Canopy Hoods, BSC's and LEV's and Includes the following features:

2 methods of pushbutton calibration that allows the installer to either "capture" the low airflow alarm velocity for installations where the velocity can be reduced for calibration or by using "2 point calibration" to calculate the alarm value by capturing 100 and 150% of the airflow

Audio Visual Alarm – Audible alarm with Red, Amber and Green LED's

2 relay inputs that are used for Sash High Alarm (audible/visual alarm with mute) and Night Setback (visual with audible mute)

Low air Alarm relay output

Com Port – RS485 used with Config manager software for monitor configuration

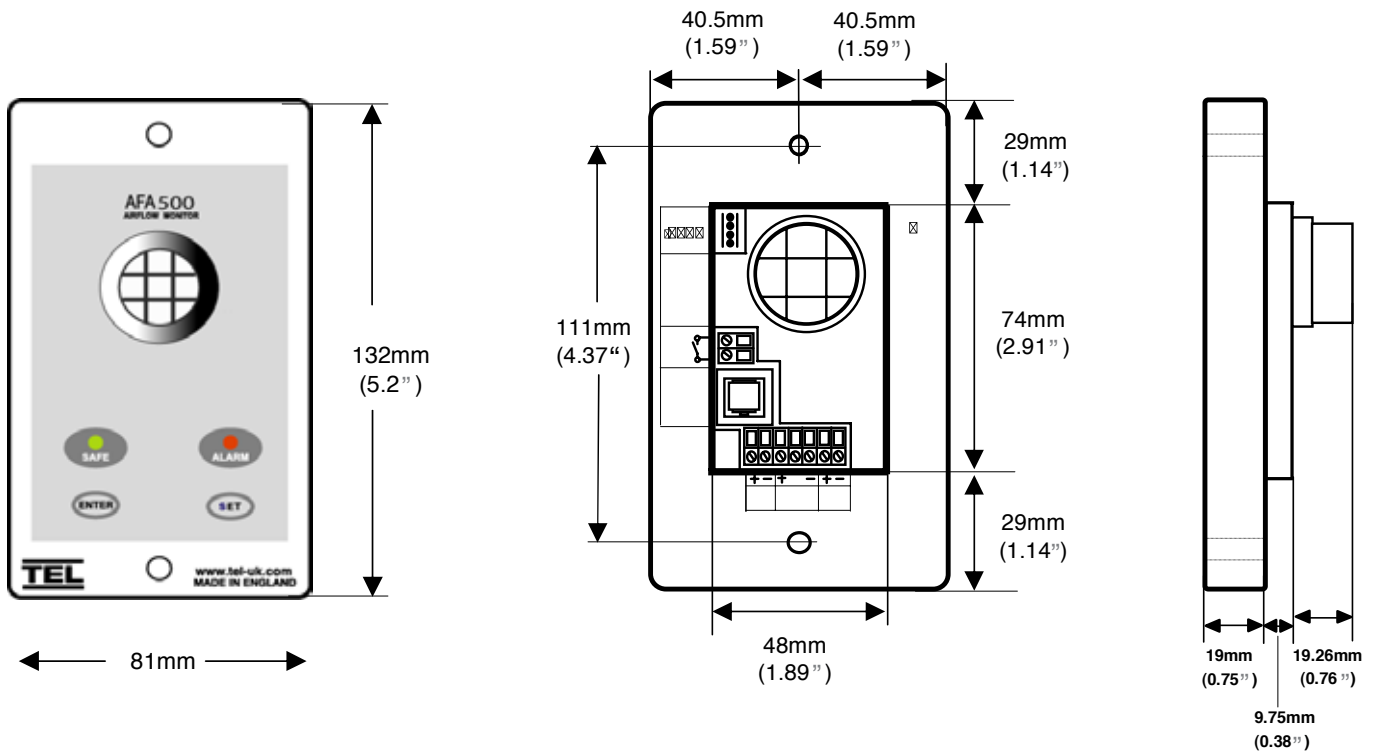
AFA500 Mk3

Specifications

Alarm range (SM6)	.15 -2.0 m/s (30-400 fpm)
Alarm range (12150)	.15 -10.0 m/s (30-2000fpm)
Field set-up	Single or 2 Point pushbutton calibration (Installer selectable)
Accuracy	Face velocity accuracy / duct velocity accuracy +/- 10%
Airflow Sensor	On board or remote sensor
Relay output	1 Low Air Alarm
Low Air Alarm Delay	Fixed 5 seconds
Relay input	2 - Sash High and Night Setback
Comm. Port	RS485 – for monitor configuration only
Sash high indication	Yes, with separate plug-in connection with alarm repeat feature factory set to 5 minutes. (can be adjusted via laptop up to 30 minutes)
Night setback	Yes – Using a relay input
External drum indication	Not available
Power Requirement	Input—240VAC 50Hz, (UK) or 230VAC 50Hz (Euro) or 120VAC 60Hz (USA) Output—15VDC, 500ma
Display—visual	LEDs: red, alarm; yellow, caution; green, normal
Alarm indication	Red LED & audible alarm (to a certain sound spec)
Horn silence	Yes (temporary or permanent)
Mounting	Flush (or surface with optional mounting box)
Monitor operating temp	55-86°F (13-30°C)
SM6 operating temp	15-25°C (Environmental limits)
SM6 working temp	ambient +25°C
SM6 output mV	0-90 mV over working range (0-1.5m/sec).
Storage temperature	-40-150°F (-40-65°C)
Agency listings	CE
Hazardous area	SM6 Suitable for Gas group IIC Temp Class T6 (With Atex certified MTL Zener Barriers).

AFA500 Mk3

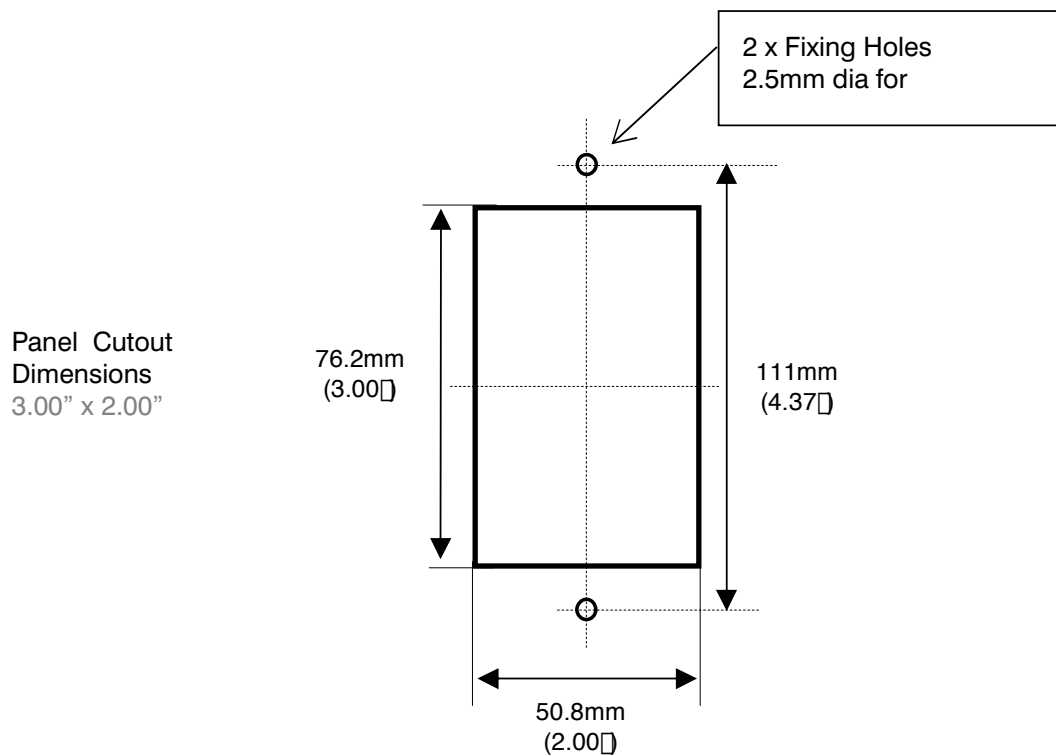
Dimensions



Front View

Rear View

Side View



AFA500 Mk3

Ordering Options

5	Mk3	UK	SM6	2M
Model	Style	Power Supply	Airflow Sensor Type	Sensor Cable
5	Mk3	US 120v 60Hz Euro 230v 50Hz UK 240v 50Hz	None (built in sensor) SM6 12150 ILS	2M 5M

Power Supply

The AFA500 Airflow monitor is supplied complete with a plug in type power supply for connection to a single gang socket. The mains supply should be fused 3A. A desktop style power supply can be supplied with flying mains lead for connection to a fused spur or terminals.

Airflow Sensor

The standard AFA500 is supplied with a built in sensor. A remote type airflow sensor version is available and has a plug in RJ11 socket on the rear of the case to accept the sensor cable.

A vent it can be supplied for connection to the Fume Cupboard inner sidewall, this comprises of 1M of 25mm vent tube, a 25mm Bush and Coupling and box lid. See EVK on accessories page.

Sensor Cable

The standard length of a remote type sensor cable is 2M, a 5M version is also available. Custom lengths can be supplied on request.

AFA500 Mk3

Additional features

The AFA500 airflow monitor range includes the following additional features:

Battery Back Up – Full back up in the event of power loss

The AFA500 MK3 can be supplied with a custom overlay (details on request).

Accessories

The AFA500 airflow monitor range includes the following accessories:

Surface mounting back box

EVK Vent Kit

Sash High Proximity Switch

Sash High Micro Switch

Airflow sensor options

The AFA500 airflow monitor will operate with any of the following airflow sensors:

SM6 Airflow Sensor

12150 Duct Sensor

ILS Airflow Sensor